





EVERUN ER10 WHEEL LOADER 4WD

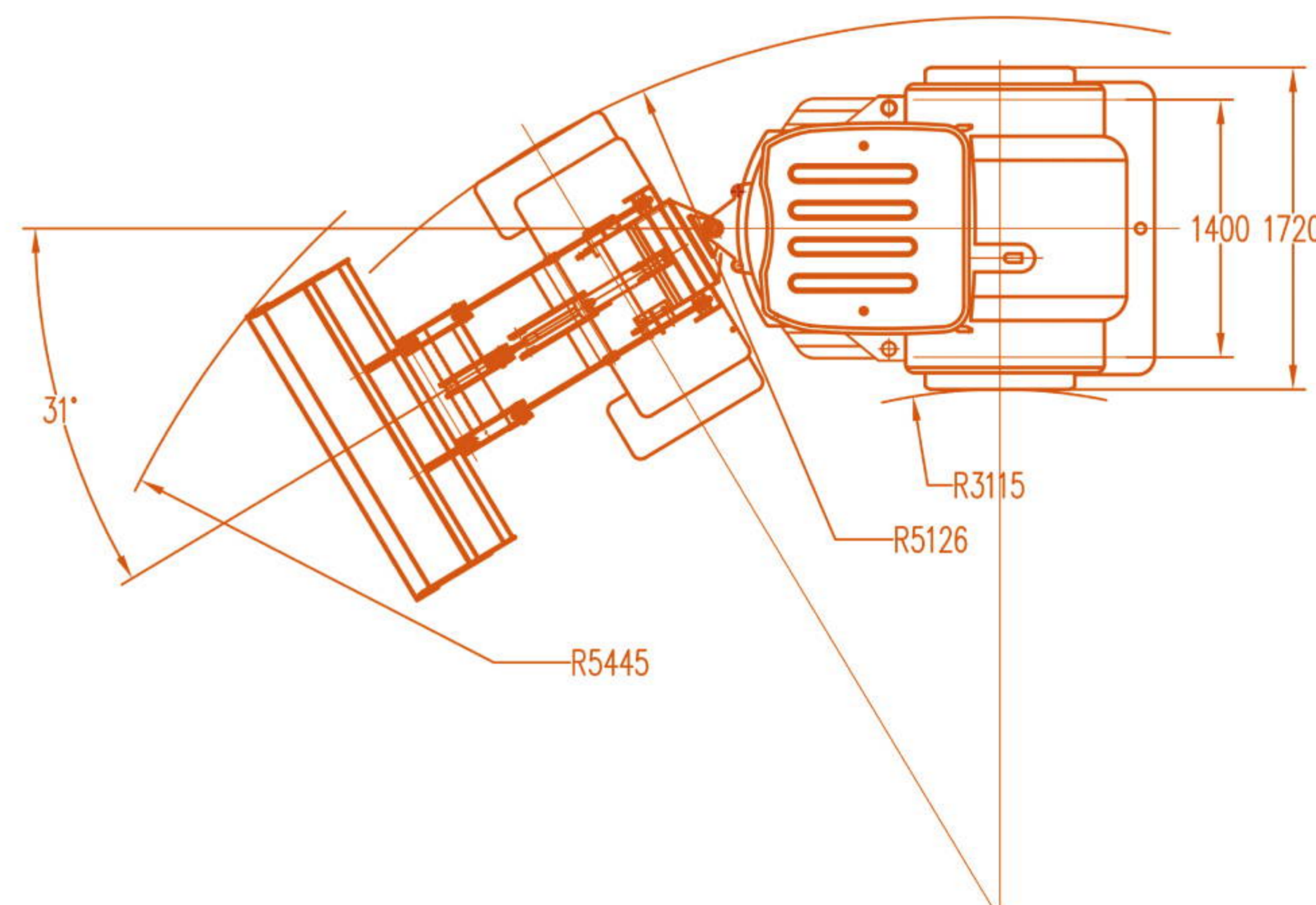
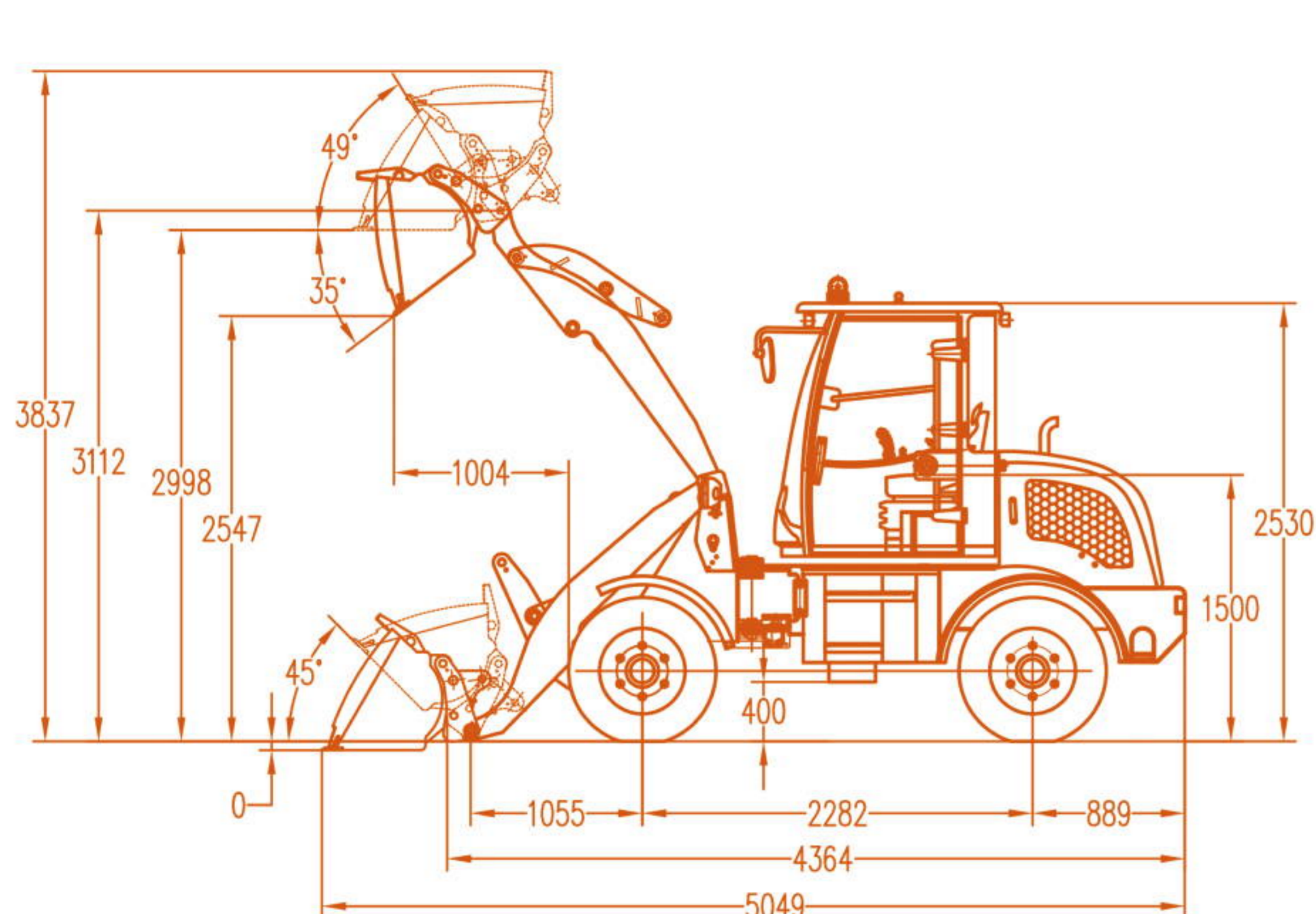
Standard Configuration

Standard Bucket, Xichai4DW91-45 Engine, Torque Converter Transmission System, Rops & Fops Cabin, Mechanical Joystick, Floating Function, Tipping Cabin, Adjustable Steering Wheel, Comfortable Seat, Cabin Heater, Backward Camera, Hydraulic-Pressure Checking System, Engine Heater, 20.5/70-16 Agricultural Tyres, Lock for Lifting and Steering Cylinder, Parallel Linkage System, Free Service Spare Parts.

Optional Configuration

Quick Hitch, Electric Joystick, Air Conditioner, Extra Hydraulic Line, LED Light, E4 Lamp, Varta Anti-Freeze Battery, 31*15.5-15 Agricultural Tyres, 33*15.5-16.5 Turf Tyres, Tyre Chain, Three-Point Hitch, Loading Damper, Centralized Lubrication System, Loader Weighter, 5 Functions Electric Joystick, Kohler 1903TCR Engine(EPA4), Cummins QSF2.8 Engine(EPA4), Yanmar 4TNV94L Engine(Euro3), Different Attachments.

Technical Parameter



Bucket Capacity	0.53m ³	Net Weight	3300kg
Loading Capacity	1000kg	Lifting Time	7s
Max. Driving Speed(I/II)	10/22m/h	Working Pressure	17mpa
Fuel Consumption Ration	235g/km·h	Wheel Base	2282mm
Engine Model	Xichai 4DW91-45	Breakout Force	28kn
Engine Power	33kw	Tyre	20.5/70-16
Service Brake	Four Wheel Hydraulic Spread-Shoed Brake	Oil Flow	55L/min
		Rated Speed	2300r/min

Qingdao Everun Machinery Co.,Ltd

Address : Room 902, Yongxin International Finance Centre
No.6 Qinling Road, Qingdao, China

Tel : +86-532-80997859

Website: www.everun.cc

•••••  www.everun.com

Email : info@everun.cc

Fax: +86-532-80993178

