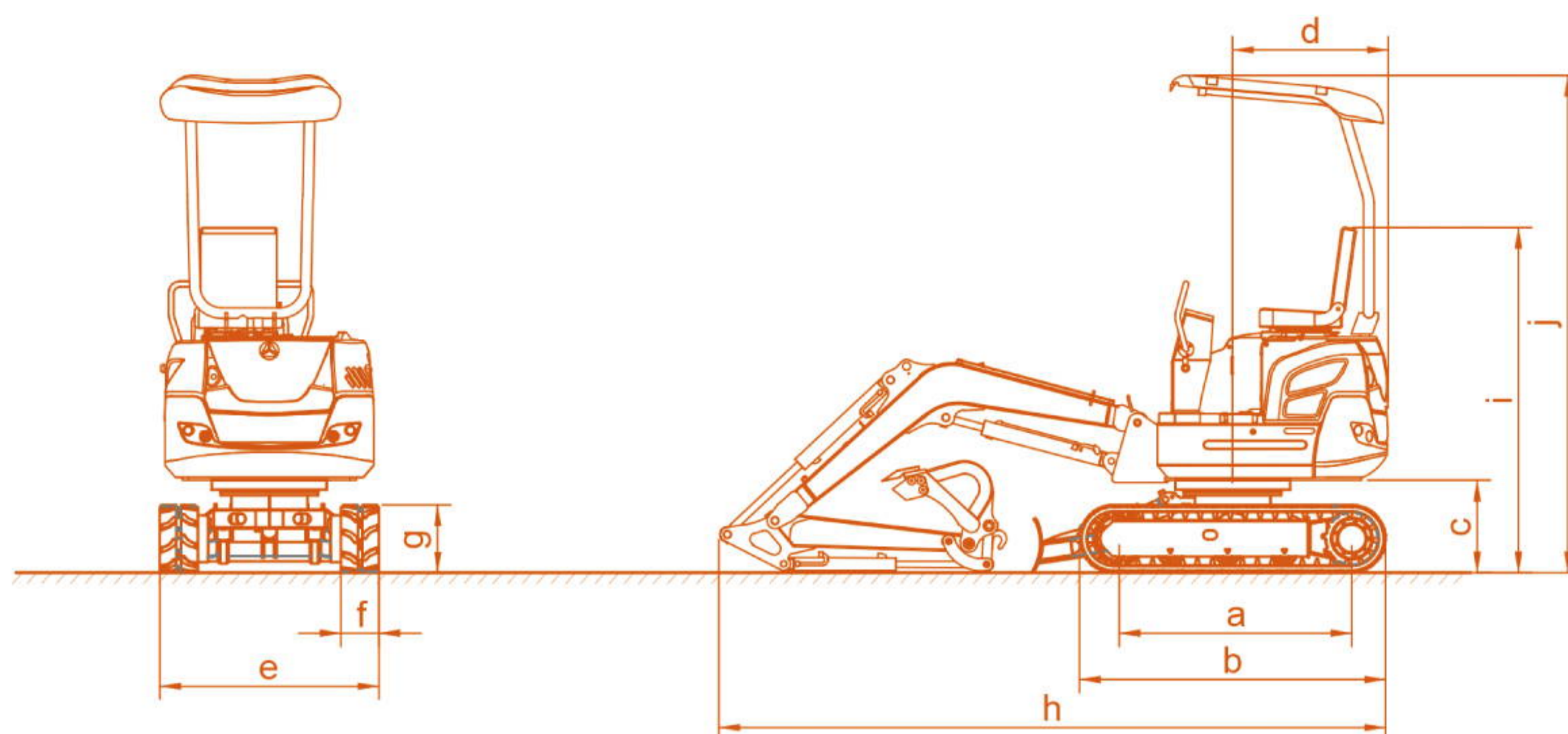
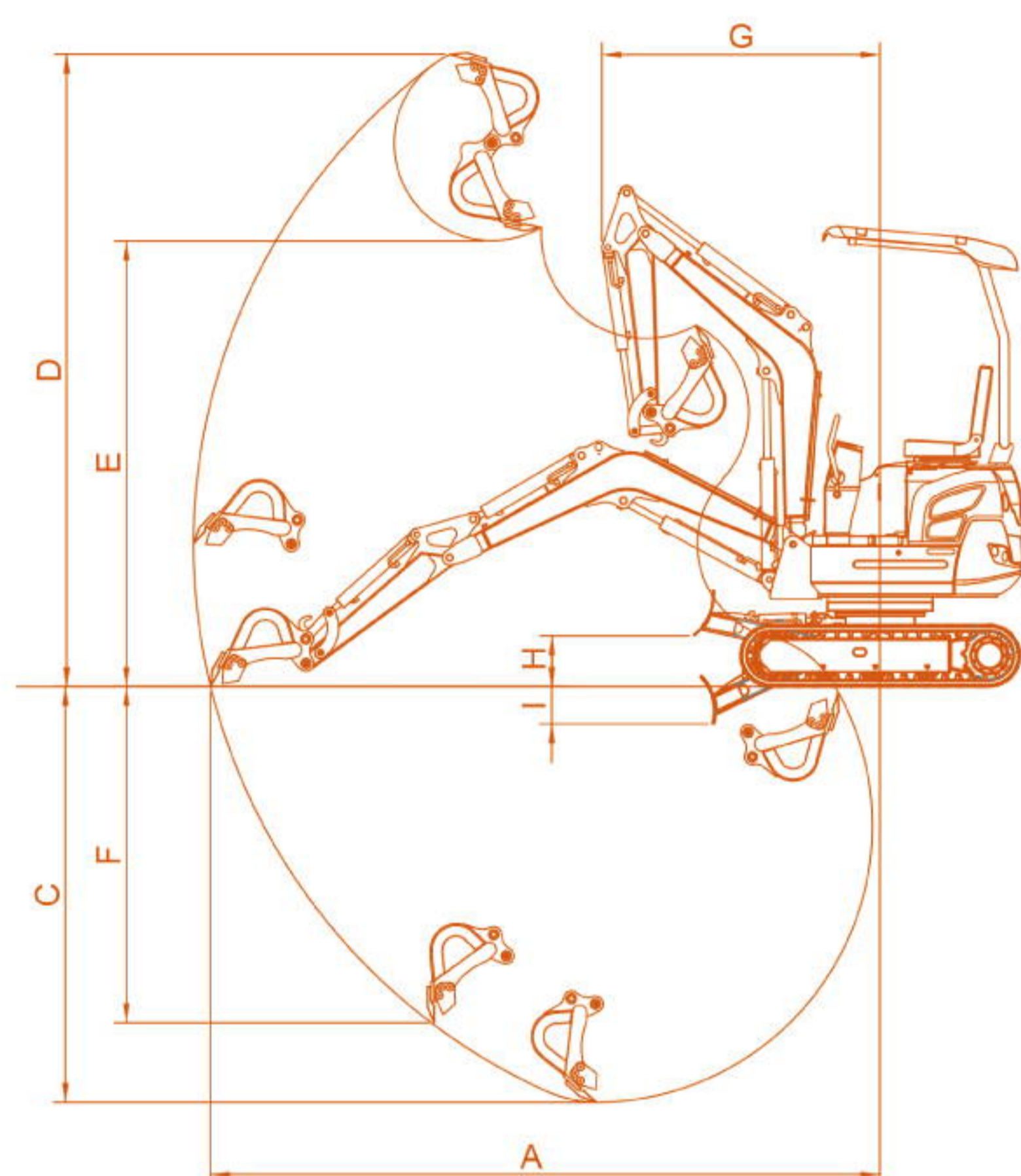






EVERUN ERE16 CRAWLER EXCAVATOR



Technical Parameter

| | | | |
|--|---------|---------------------------|---------------------------------------|
| Platform Ground Clearance | 460mm | Wheel Base | 1290mm |
| Platform Back Turning Radius | 740mm | Total Length of Track | 1670mm |
| Chassis Width | 1130mm | Operating Weight | 16000kg |
| Track Width | 180 mm | Engine | Yanmar (3TNV70-S) |
| Chassis Ground Clearance | 460 mm | Rated Power | 10kw/2200/r/min |
| Bucket Digging Force | 10.5Kn | Displacement | 0.854L |
| Arm Digging Force | 6.5Kn | Bore Stroke | Three Cylinder, Water Cool |
| Rubber Track Height | 320 mm | Main Pump | KDK |
| Max. Digging Depth | 2150 mm | Pump Flow | 23L/Min |
| Max. Vertical Digging Depth | 1740 mm | Valve | BEIFANG |
| Max. Digging Height | 3275 mm | Displacement | 6.8ml/r |
| Max. Dumping Height | 2310 mm | Swing Motor | EATON |
| Max. Digging Radius On Ground | 3470 mm | Traveling Motor | DONGHYUAN |
| Min. Rotation Radius | 1440 mm | Overall Dimension(LxWxH) | 3160x1040x2377mm |
| Max | 192 mm | Digging Bucket Capacity | 0.045cbm/400kg |
| Max. Upgrade Height Of Bulldozer Blade | 262 mm | Digging Bucket Width | 400mm, can add narrow bucket is 200mm |

Qingdao Everun Machinery Co.,Ltd

Address : Room 902, Yongxin International Finance Centre
No.6 Qinling Road, Qingdao, China

Tel : +86-532-80997859

Website: www.everun.cc

▶▶▶  : www.everun.com

Email : info@everun.cc

Fax: +86-532-80993178

