





EVERUN ER20 WHEEL LOADER 4WD

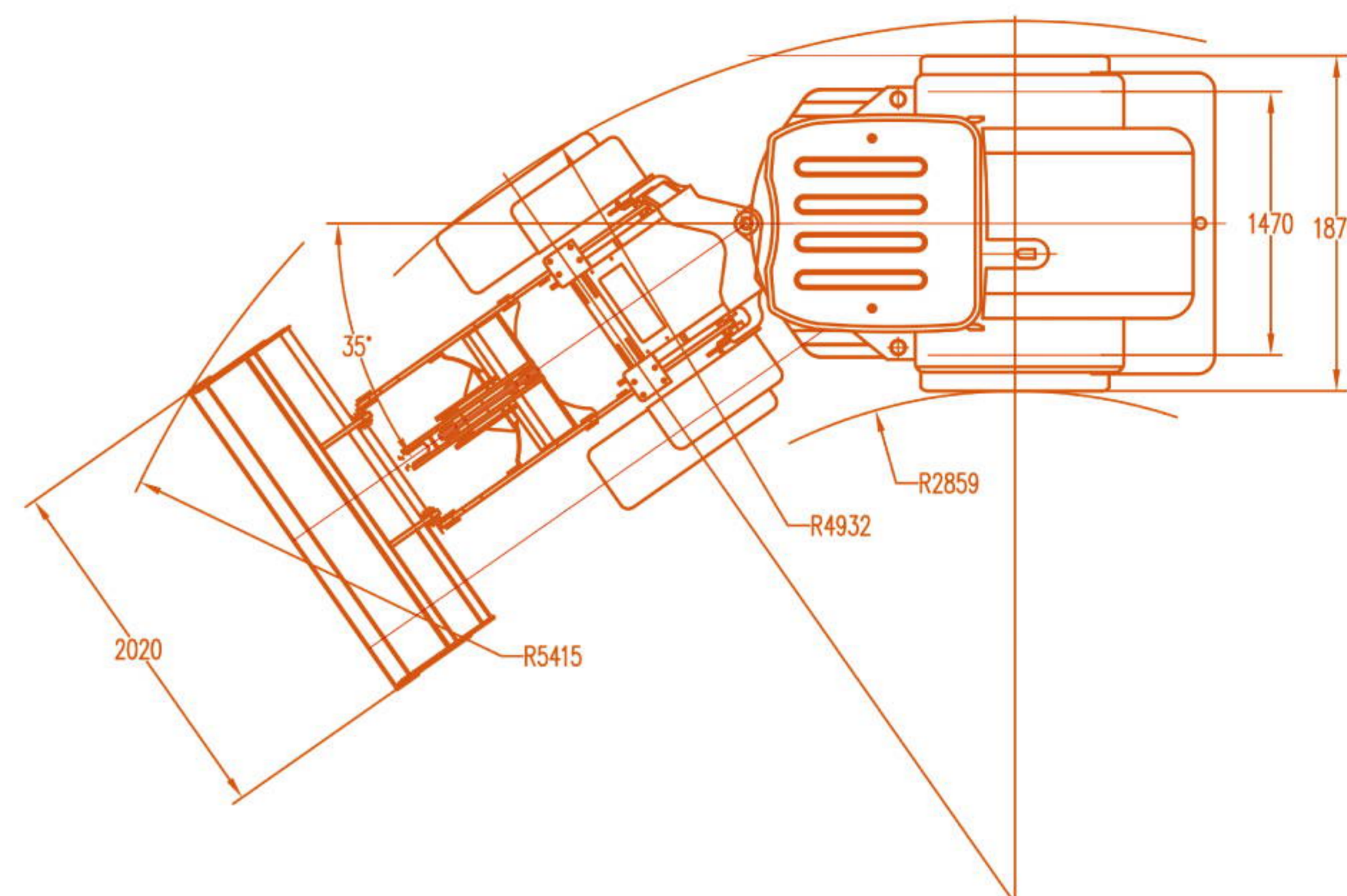
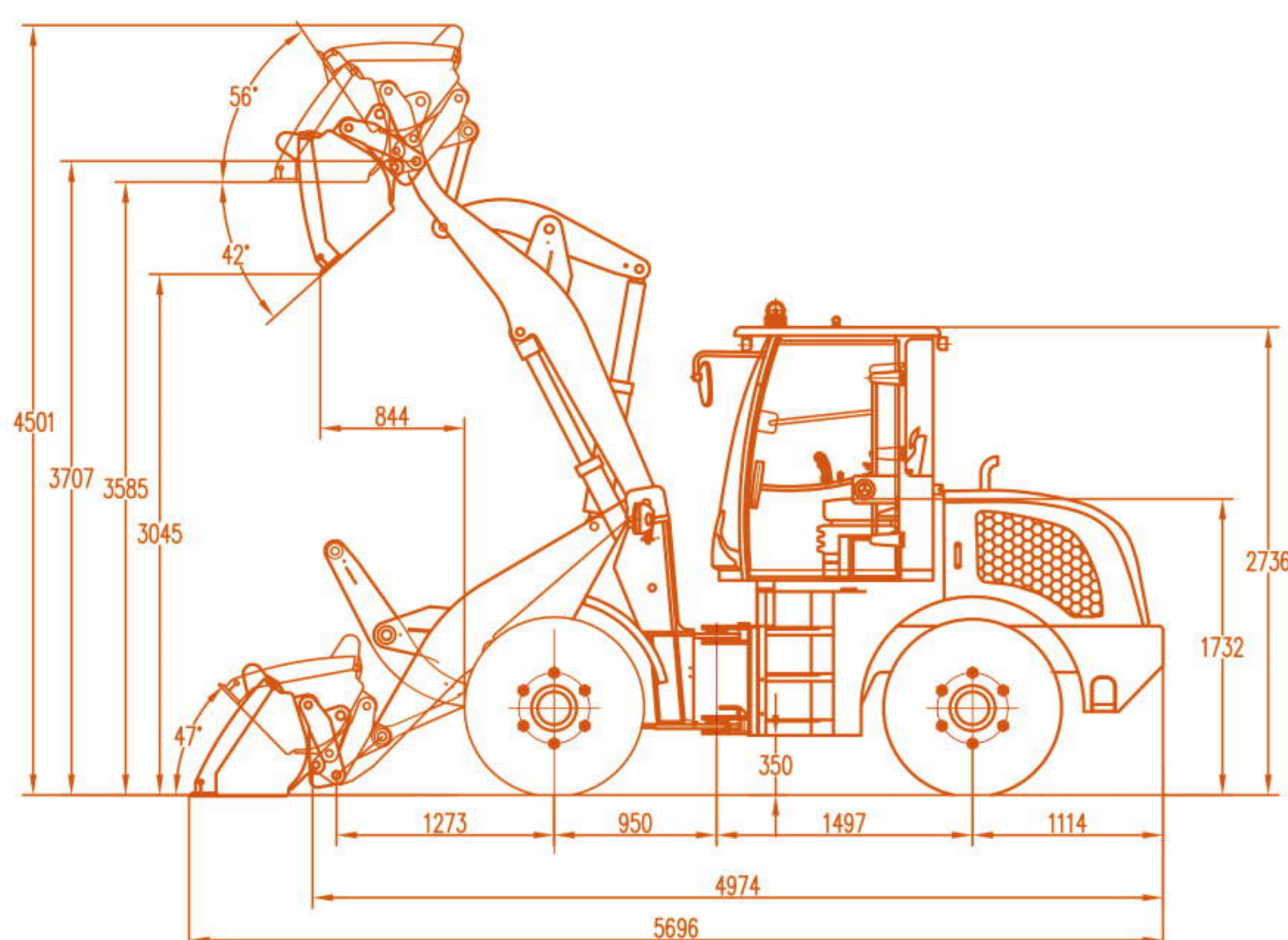
Standard Configuration

Standard Bucket, Xichai 4DX21-72 Engine, Torque Converter Transmission System, Rops & Fops Cabin, Mechanical Joystick, Floating Function, Tipping Cabin, Adjustable Steering Wheel, Comfortable Seat, Cabin Heater Backward Camera, Hydraulic-Pressure Checking System, Engine Heater, Wheel-Reducer Axle, Air Brake, 16/70-20 Agricultural Tyres, Lock for Lifting and Steering Cylinder, Parallel Linkage System, Free Service Spare Parts.

Optional Configuration

Quick Hitch, Electric Joystick, Air Conditioner, Extra Hydraulic Line, LED Light, E4 Lamp, Varta Anti-Freeze Battery Tyre Chain, Three-Point Hitch, Loading Damper, Hydraulic Joystick, Centralized Lubrication System, Loader Weighter, 5 Functions Electric Joystick, Kohler 2504TCR Engine(EPA4), Cummins QSF2.8 Engine(EPA4), Yanmar 4TNV98CT Engine(EPA4 Euro3B), Xinchai Engine(Euro3B), Different Attachments.

Technical Parameter



| | | | |
|--------------------------|---|------------------|-----------|
| Bucket Capacity | 0.72m ³ | Net Weight | 5000kg |
| Loading Capacity | 2000kg | Lifting Time | 9s |
| Max. Driving Speed(I/II) | 9/20km/h | Working Pressure | 17mpa |
| Fuel Consumption Ration | 240g/km·h | Wheel Base | 2447mm |
| Engine Model | XiChai 4DX21-72 | Breakout Force | 55kn |
| Engine Power | 53kw | Tyre | 16/70-20 |
| Service Brake | Air Over Hydraulic Disc Brake On Four Wheels | Oil Flow | 85L/min |
| | | Rated Speed | 2400r/min |

Qingdao Everun Machinery Co.,Ltd

Address : Room 902, Yongxin International Finance Centre
No.6 Qinling Road, Qingdao, China

Tel : +86-532-80997859

Website: www.everun.cc

•••••  : www.everun.com

Email : info@everun.cc

Fax: +86-532-80993178

